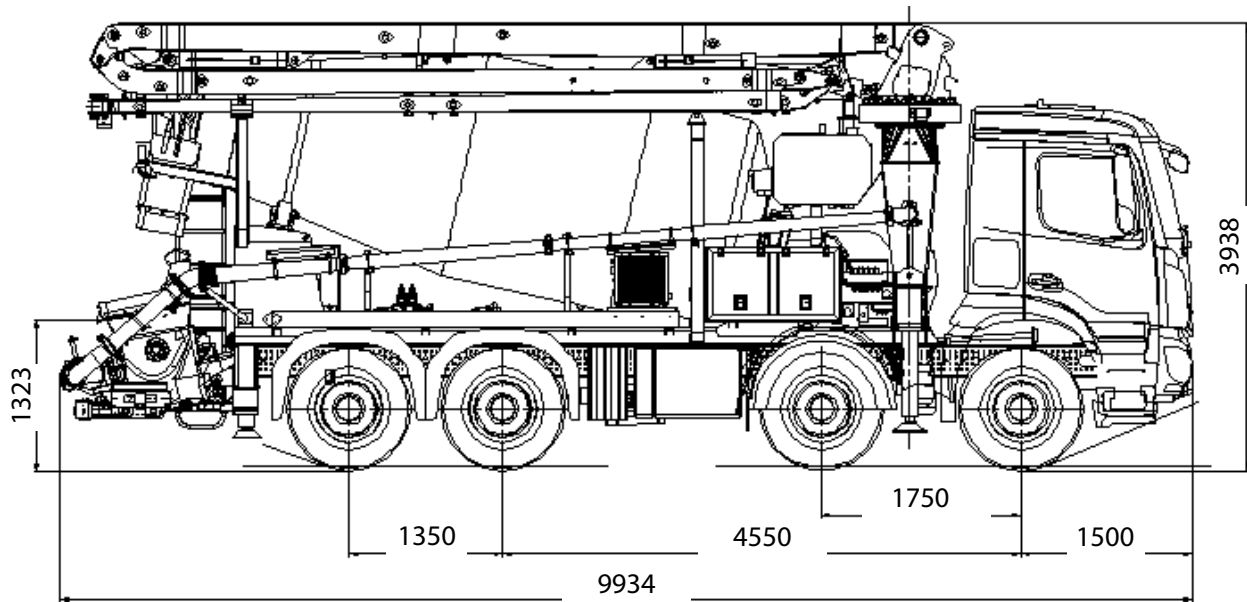


3Z24



DIMENSIONS ARE INFORMATIVE AND DEPEND ON THE TRUCK COMPOSITION CHOSEN

PUMPING UNIT XJG5320

MAX. CONCRETE FLOW RATE*	60M ³ /H
MAX. CONCRETE PRESSURE*	75BAR
MAX. NUMBER OF STROKES	31/MIN
STROKE LENGTH	1000MM
DIAMETER OF CONCRETE CYLINDER	200MM
CAPACITY HOPPER	500L

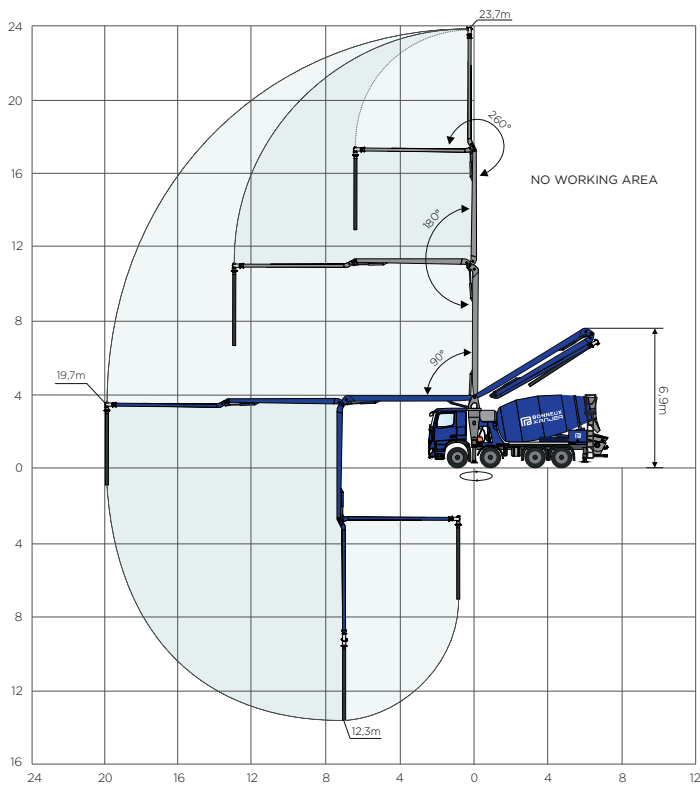
*THE DATA GIVEN ARE THEORETICAL VALUES AND CANNOT BE REACHED SIMULTANEOUSLY.

MIXER DRUM 8,5M³

NOMINAL CAPACITY	8,5M ³
GEOMETRIC VOLUME	12,0M ³
ROTATION SPEED	0 - 15/MIN
WATER COUNTER	0 - 500L
MATERIAL	QSTE500®

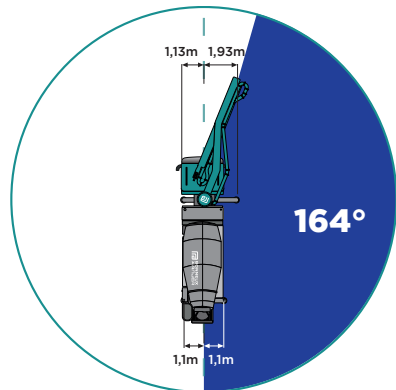
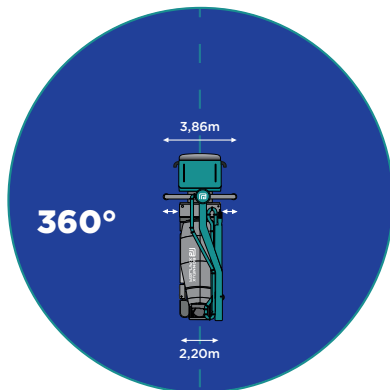
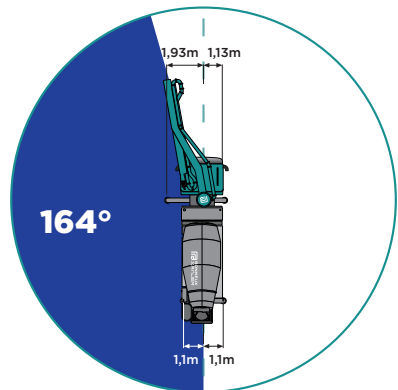
- POWERED BY PTO TRANSMISSION OF THE TRUCK
- S-VALVE MADE OF WEAR-RESISTANT STEEL
- WEAR RING AND WEAR PLATE WITH COMPENSATION SYSTEM (INLAY OF TUNGSTEN CARBIDE STEEL)
- ELECTRIC DRIVEN AND TEMPERATURE CONTROLLED
- MIXING SHAFT WITH REMOVABLE BLADES (HARDOX®)
- AUTOMATIC GREASE LUBRICATION SYSTEM, HYDRAULICALLY DRIVEN
- DOUBLE WALLED EXIT BEND 5" WITH CLEANING ACCESS
- CONCRETE CYLINDER WITH HARD CHROME INNER WALL
- SIMPLE STRUCTURED, OPEN HYDRAULIC SYSTEM
- ELECTRO-HYDRAULIC CONTROLLED PUMPING UNIT
- SEPARATE CONTROL FOR PUMPING AND S-VALVE CYLINDERS SUPPORTED WITH ACCUMULATOR
- FUEL-SAVING FLOW AND SPEED CONTROL
- VARIABLE DISPLACEMENT PUMP, PRESSURE FLOW CONTROLLED





BOOM 3Z24

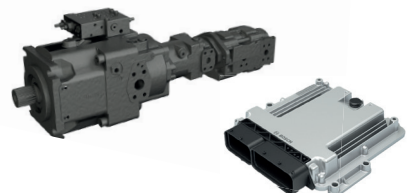
MATERIAL	HIGH-STRENGTH STRUCTURAL STEEL
STRENGTH CALCULATION	FEM ANALYSE
FOLDING SYSTEM	TYPE 'Z'
NUMBER OF SECTIONS	3
MAX. VERTICAL RANGE	23,7M
MAX. HORIZONTAL RANGE	19,7M
MAX. DEPTH RANGE	12,3M
MIN. UNFOLDING HEIGHT	6,9M
ROTATION ANGLE	±360°
TURNING ANGLES	90° - 180° - 260°
CONTROL VALVE	PROPORTIONAL
MAX. HYDRAULIC PRESSURE	315BAR
END HOSE	4" (DN100) - 3M



RADIO REMOTE CONTROL
2 TRANSMITTERS + 1 RECEIVER



HYDRAULIC PUMPS



HYDRAULIC PUMPS
ELECTRONIC CONTROL UNIT
BODAS HARDWARE
CONTROLLER RC SERIES

OUR PRODUCTS ARE CONSTANTLY EVOLVING, WHICH MEANS SPECIFICATIONS MAY VARY