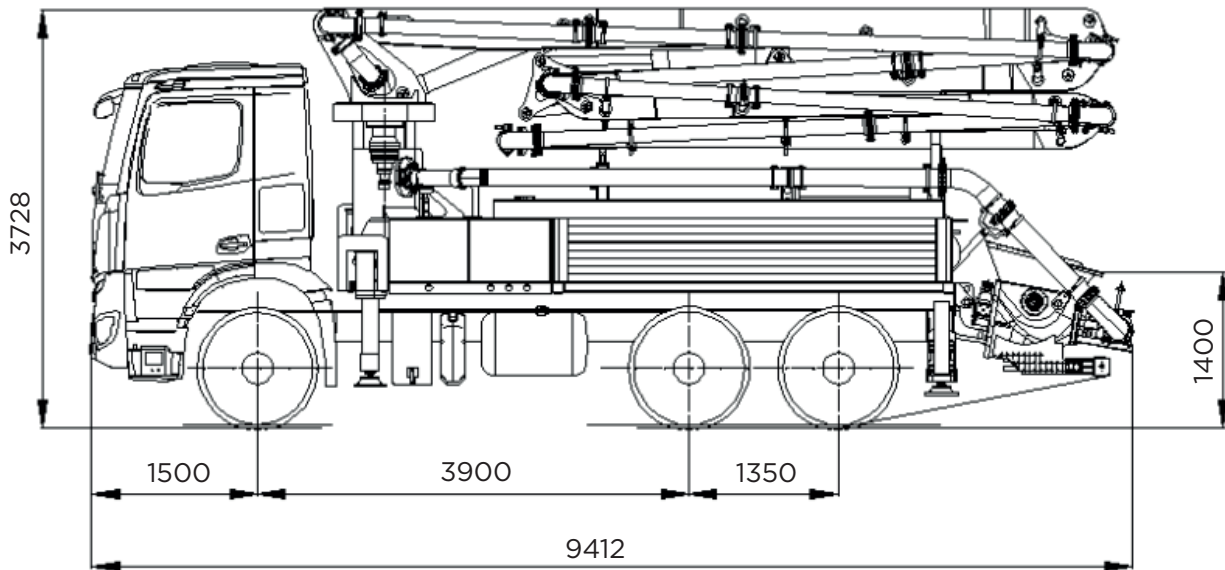


4Z27



DIMENSIONS ARE INFORMATIVE AND DEPEND ON THE TRUCK COMPOSITION CHOSEN

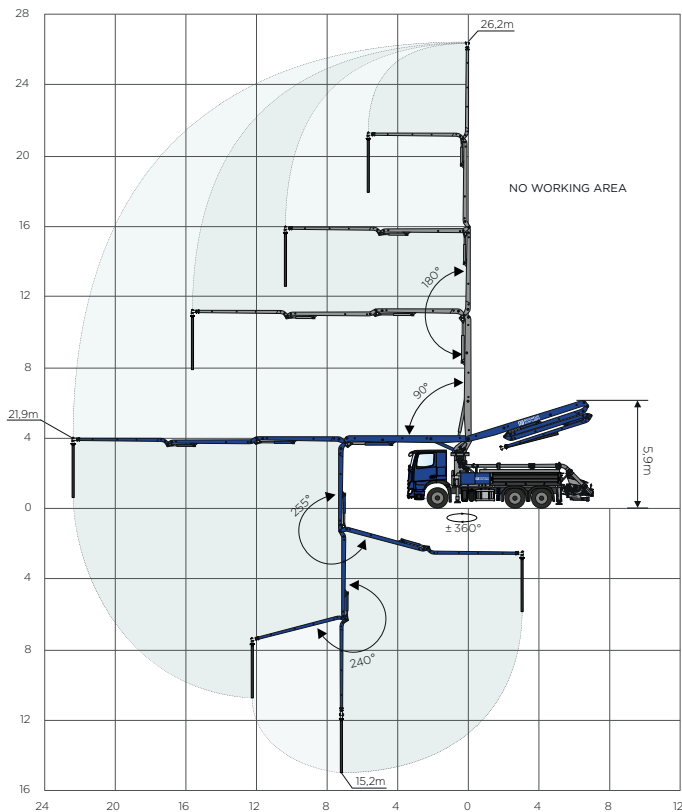
PUMPING UNIT XJG5210

MAX. CONCRETE FLOW RATE*	117M ³ /H
MAX. CONCRETE PRESSURE*	70BAR
MAX. NUMBER OF STROKES	28/MIN
STROKE LENGTH	1600MM
DIAMETER OF CONCRETE CYLINDER	230MM
CAPACITY HOPPER	550L

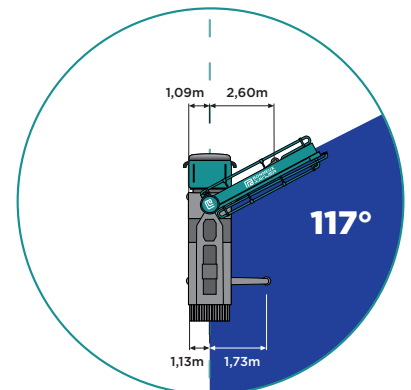
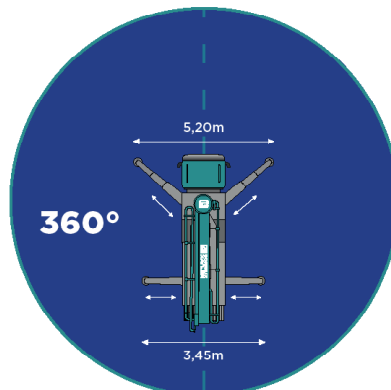
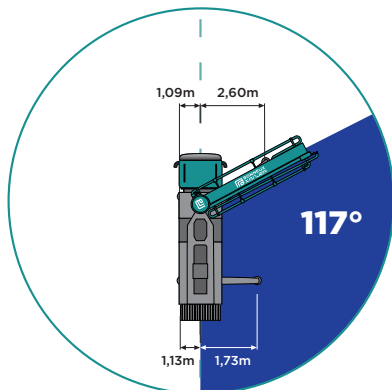
**The data given are theoretical values and cannot be reached simultaneously.*

- POWERED BY PTO TRANSMISSION OF THE TRUCK
- S-VALVE MADE OF WEAR-RESISTANT STEEL
- WEAR RING AND WEAR PLATE WITH COMPENSATION SYSTEM (INLAY OF TUNGSTEN CARBIDE STEEL)
- HYDRAULICALLY DRIVEN AND TEMPERATURE CONTROLLED OIL COOLER
- MIXING SHAFT WITH REMOVABLE BLADES (HARDOX®)
- AUTOMATIC GREASE LUBRICATION SYSTEM, HYDRAULICALLY DRIVEN
- DOUBLE WALLED EXIT BEND 7" WITH CLEANING ACCESS
- CONCRETE CYLINDER WITH HARD CHROME INNER WALL
- SIMPLE STRUCTURED, OPEN HYDRAULIC SYSTEM
- ELECTRO-HYDRAULIC CONTROLLED PUMPING UNIT
- SEPARATE CONTROL FOR PUMPING AND S-VALVE CYLINDERS SUPPORTED WITH ACCUMULATOR
- FUEL-SAVING FLOW AND SPEED CONTROL
- VARIABLE DISPLACEMENT PUMP, PRESSURE FLOW CONTROLLED
- ALUMINUM COVER WITH LED WORK LIGHT

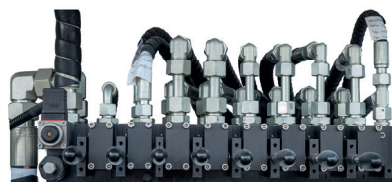




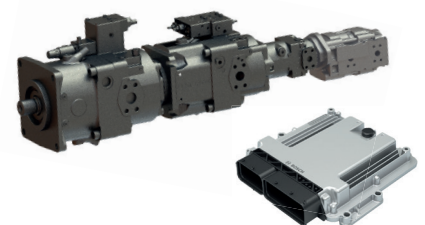
BOOM 4Z27	
MATERIAL	HIGH-STRENGTH STRUCTURAL STEEL
STRENGTH CALCULATION	FEM ANALYSE
FOLDING SYSTEM	TYPE 'Z'
NUMBER OF SECTIONS	4
MAX. VERTICAL RANGE	26,2M
MAX. HORIZONTAL RANGE	21,9M
MAX. DEPTH RANGE	15,2M
MIN. UNFOLDING HEIGHT	5,9M
ROTATION ANGLE	±360°
TURNING ANGLES	90°- 180°- 255°- 240°
CONTROL VALVE	PROPORTIONAL
MAX. HYDRAULIC PRESSURE	350BAR
END HOSE	5" (DN125) - 3M



RADIO REMOTE CONTROL
2 TRANSMITTERS + 1 RECEIVER



HYDRAULIC CONTROL BOOM
PROPORTIONAL DIRECTIONAL
SPOOL VALVE



HYDRAULIC PUMPS
ELECTRONIC CONTROL UNIT
BODAS HARDWARE
CONTROLLER RC SERIES

OUR PRODUCTS ARE CONSTANTLY EVOLVING, WHICH MEANS SPECIFICATIONS MAY VARY